

SPAZIO 

FIRE CUBE



OWNER'S MANUAL

This appliance is intended for decorative purposes

Warning: For Outdoor use only!

Keep the instruction for future reference.

Read the instructions before installation and use.

For gas adjustment refer to Appliance Marking!

"Before installation, ensure that the local distribution conditions and the adjustment of the appliance are compatible."

PLEASE ENSURE THE FIRE PIT IS COVERED WITH A FABRIC COVER WHEN NOT IN USE,
ESPECIALLY ON RAINY DAYS.

INDEX

Safety Warnings.....	3
General Warnings.....	4-6
Gas (LPG) warnings.....	7-8
Expanded View.....	9-10
Installation	11-12
Connecting gas circuit to LPG cylinder	13
Operating Instructions	14
Leakage Testing.....	14
Maintenance and Cleaning.....	15
Storage (after use)	16
Troubleshooting.....	17
Warranty.....	18

SAFETY WARNINGS



WARNING:

- Do not modify the appliance;
- Do not move the appliance during use;
- Turn off the gas supply at the gas container after use
- Accessible parts may be very hot. Keep young children away
- The appliance should not be used in basements or below ground level.
- The appliance must only be used for space heating.



WARNING:

This appliance has a naked flame, keep out of reach of infants, young children and the elderly for their own protection.



DANGER



CARBON MONOXIDE HAZARD

This appliance can produce carbon monoxide which has no odor.

Using it in an enclosed space can kill you.

Never use this appliance in an enclosed space such as a camper, tent, car or home.

ATTENTION: This appliance is fitted with a flexible gas rubber pipe and clamps that must be used; never use a different kind and always use according to the National Rules in force in the country of destination. These components should be periodically substituted, according to the date reported on the body of each of them, or according to the National Rules in force in the country of destination. The LPG cylinder is not included and would have to be bought according to LPG compartment shape and cylinder support.



WARNING:

Failure to heed the Dangers, Warnings and cautions contained in this Owner's Manual may result in a serious explosion causing damage to Property and bodily injury.

GENERAL WARNINGS

IMPORTANT: Please read and understand all instructions and precautions prior to assembly of your gas fire pit and keep for future use

Failure to follow these instructions, warnings and cautions in this manual may result in fire or explosion, damage to property and serious injury or death.

- Minimum Clearance From Unit To Combustible Material:

60” (152.4cm) from the top; 36” (91.44cm) from all sides and back.

Do not place this appliance under over-head unprotected combustible surfaces.

IF YOU SMELL GAS:

1. Shut off gas supply to the fire pit

2. Extinguish any open flame.

3. Do not try lighting any appliance.

4. Do not touch any electrical switch nor use any phone in your building.

5. Immediately call your gas supplier from a neighbor's phone.

6. Follow the gas supplier's instructions.

7. If you cannot reach your gas supplier, call the fire department.

- This gas fire-pit should ONLY be used outdoors in a well-ventilated space and should NOT be used inside a building, garage, or any other enclosed area.
- Do NOT use this outdoor gas fire pit for indoor heating as toxic carbon monoxide fumes can accumulate and cause asphyxiation.
- Never LEAVE this gas fire-pit unattended when in use.
- Children and adults should be alerted to the hazards of high surface temperatures and kept at a safe distance while fire pit is in use.
- Do NOT operate light or use this fire-pit within 8 feet of walls, structures or building.
- Storage of this fire-pit indoors is permissible only if it has been disconnected from its fuel supply (LP gas cylinder).
- Gloves are strictly recommended to be used while moving this appliance, to protect your hands.
- Any sealed parts by manufacture or his agent cannot be altered by the user.
- Do not store or use gasoline or other flammable vapors and liquids within 25 feet (7.62m) of this product.
- Do NOT store any combustible materials in the base enclosure of this fire-pit.
- The use of alcohol, prescription or non-prescription drugs may impair an individual's ability to properly assemble or safely operate this fire pit .

-
- Do not use in an explosive atmosphere. Keep gas fire pit area clear and free from combustible materials, gasoline and other flammable vapors and liquids.
 - This outdoor fire pit is NOT to be operated by children. Young children should be closely supervised when in the vicinity of this outdoor fire pit.
 - This outdoor fire pit is not to be installed or used in or on recreational vehicles and/or boats.
 - Always use in accordance with all applicable local, state and national codes. Contact your local fire department for details on outdoor fires.
 - Use the same precautions you would with any open fire when using this outdoor fire-pit .
 - Do NOT burn solid fuels such as: wood, charcoal briquettes, lump charcoal, manufactured logs, driftwood, trash, leaves, paper, cardboard, plywood, painted or stained or pressure treated wood in this outdoor fire pit.
 - Do NOT alter this outdoor fire pit in any manner.
 - Do NOT use this outdoor fire pit until it is COMPLETELY assembled and all parts are securely fastened and tightened.
 - Do NOT store another LP gas tank within 10 feet (3.05 m) of this outdoor fire pit while it is in operation.
 - Do NOT use this outdoor fire pit near automobiles, trucks, vans or recreational vehicles.
 - Do NOT use this outdoor fire pit under any overhead or near any unprotected combustible materials. Avoid using near or under overhanging trees and shrubs.
 - Always use this outdoor fire pit on a hard, level, non-combustible surface such as concrete, rock or stone. An asphalt or blacktop surface may not be acceptable for this purpose.
 - Do NOT use this outdoor fire pit if any part has been under water. Immediately call a qualified service technician to inspect the fire pit and to replace any part or control system and any gas control which has been under water.
 - Do NOT wear flammable or loose clothing when operating this outdoor fire pit.
 - Do NOT use in windy conditions.
 - Keep all electrical cords away from a hot outdoor fire pit.
 - Certain areas of this outdoor fire pit will become too hot to touch during and after use. Do not touch hot surfaces until the unit has cooled unless you are wearing protective gear such as insulated pot holders or heat resistant gloves or mittens to avoid burns.
 - Children and adults should be alerted to the hazards of high surface temperatures and should stay away to avoid burns or clothing ignition.
 - Do NOT hang or place clothing or other flammable materials on or near the gas fire pit.
 - Any guard or other protective device removed for servicing the fire pit must be re-placed prior to operation.
 - Do NOT attempt to move or store this outdoor fire pit until all parts are cool.
 - Do NOT lean over this outdoor fire pit when igniting or when in use.
 - Use only the regulator and hose assembly provided. Use only replacement regulator and hose assemblies specified by the manufacturer.
 - Do not attempt to disconnect the gas regulator from the tank or any gas fitting while the outdoor fire pit is in use.

-
- Always shut off gas supply at the tank valve and disconnect regulator from the tank when the fire pit is not in use.
 - Do NOT sit on the mantle when the unit is in operation.
 - Do not throw anything onto the fire when the unit is in operation.
 - Lava rocks are very hot; please keep children or pets away at a safe distance.
 - It is essential to keep the outdoor fire pit valve compartment, burners, and circulating air passages clean. Inspect outdoor fire pit for debris before each use.
 - Prior to each gas fire pit operation, check the hose for evidence of excessive abrasion or wear by looking through the inspection hole. If the hose is damaged, cut or cracked, it must be replaced before using the gas fire pit. The hose assembly can only be replaced by the identical version specified by the manufacturer.
 - Before each use, remove the lava rocks. Examine the burner and its components. If dirty, clean with a soft brush and soapy water solution. Also examine the area around the burner. Any dirt or foreign material, such as spider webs or nests in this area should be removed. If it is evident that the burner is damaged, it must be replaced before the gas fire pit is used.
 - The burner assembly can only be replaced by a burner specified by the manufacturer. Place the hose out of the pathways where people may trip over it.
 - Do not cross the hose between outdoor fire pit and the LPG tank.
 - **WARNING: When the exterior conditions require it, it's necessary to change the flexible tube.**

GAS (LPG) WARNINGS

- LP gas is flammable and hazardous if handled improperly. Please review the characteristics before using **any** this product.

LPG Characteristics:

- Flammable, explosive under pressure, heavier than air, and settles in pools in low areas. In its natural state, LPG has no odor, for your safety, an odor-ant is typically added. Contact with LPG could burn the skin.

LP GAS WARNINGS:

- Cylinders must be stored outdoors in a well-ventilated area out of reach of children.
- Disconnected cylinders must have threaded valve plugs tightly installed and must not be in a building, garage or any other enclosed area.
- LP gas tank must be arranged for vapour withdrawal.
- The LP gas tank must have a tank collar to protect the tank valve.
- Never use an LP gas tank with a damaged dented or rusted body, valve, collar, or footing as they may be hazardous and should be checked by your LP gas supplier prior to use.
- The LP gas tank should not be dropped or handled roughly.
- Never store your LP gas tank where temperatures can reach over 125°F.
- Do not store the LP gas cylinder in direct sunlight or near a source of heat or combustion.
- Never keep a filled LP gas tank in a hot car or car trunk. Heat will cause the gas pressure to increase, which may open the relief valve and allow gas to escape.
- Place dust cap on valve outlet whenever the LP gas tank is not in use. Only install the type of dust cap on the LP gas tank valve outlet that is provided with the LP gas tank valve. Other types of caps or plugs may result in leakage of LPG.
- Do not store a spare LP gas cylinder under or near this appliance.
- Never fill the LP gas cylinder beyond 80% full.
- LP gas cylinders should be filled only by a certified LP gas dealer.
- The pressure regulator is set for 2.8-3.0 / 3.7 /5.0 kPa
- Regulator outlet pressure is 2.8-3.0 / 3.7 /5.0kPa.
- A SANS 1237 approved regulator should be used.
- Never attempt to attach this appliance to the self-contained LP gas system of a camper trailer, motor home or house.
- Always use the pressure regulator and hose assembly provided with the appliance to connect to a LP gas cylinder. Never connect to an unregulated LP gas supply.
- Contact your retailer's customer service department for replacement parts.

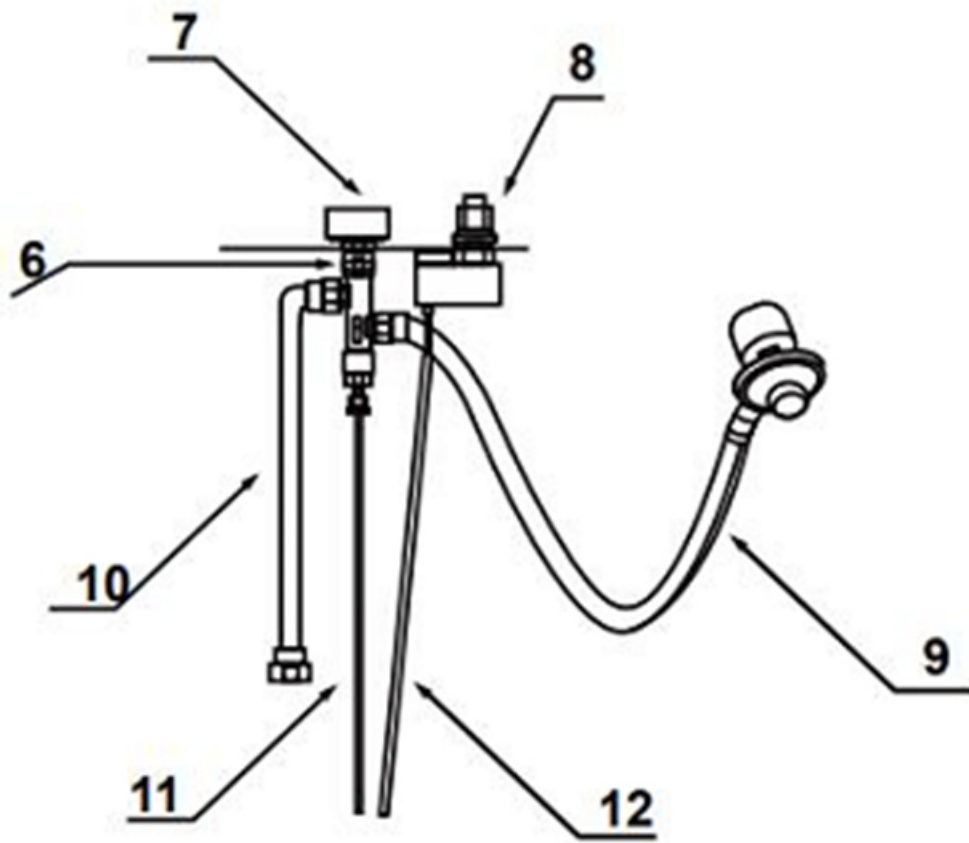
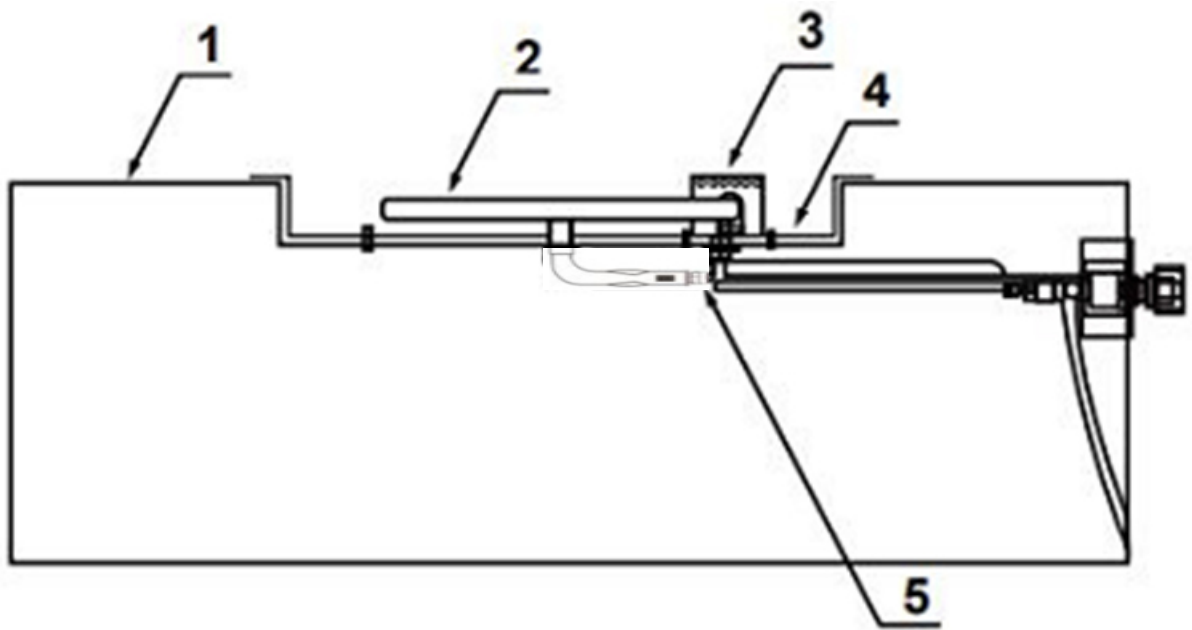
-
- Hand turn the manual gas control valve. Never use tools. If the valve will not turn by hand, do not try to repair it, call a certified gas technician. The use of force or any self-attempted repair may result in a fire or explosion.
 - Use only the type of gas and the type of LPG cylinder specified by the manufacturer.
 - The Appliance is fitted with a gas regulator, flexible gas rubber pipe and clamps according to the National Rules applicable to the country of destination.
 - The Appliance must use an approved gas regulator (approved for a working temperature not lower than 50 °C) according to the EN Standard (see minimum, nominal and maximum pressure - gas regulator inlet and outlet connection according to the National Rules in force) and flexible gas hose according to EN Standard (with proper inner diameter according to gas inlet connection and National Rules in force) with a length not over 1.5m and approved for a working temperature not lower than 60 °C. When substitution will be necessary, you have to purchase a suitable gas regulator, flexible gas rubber pipe and clamps from your local gas dealer; gas regulator should be substituted before it reaches 10 years.
 - Flexible gas rubber pipe must be installed carefully, avoiding any twisting. Never use a damaged gas regulator.
 - When the appliance is not in use, turn the LPG cylinder in “OFF” position.
 - Always perform a leakage test on gas connections whenever a LPG cylinder is connected. If bubbles form in the leakage test solution, do not use it. Never use a flame to test for leakages, **It is strictly forbidden and dangerous!**



1 "Maximum diameter or width: 370mm

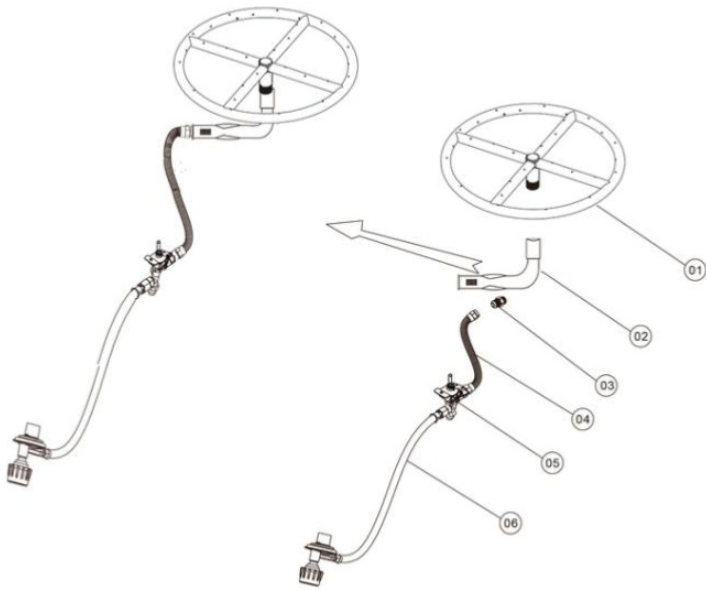
2 "Maximum height (regulator included): 750mm

EXPANDED VIEW



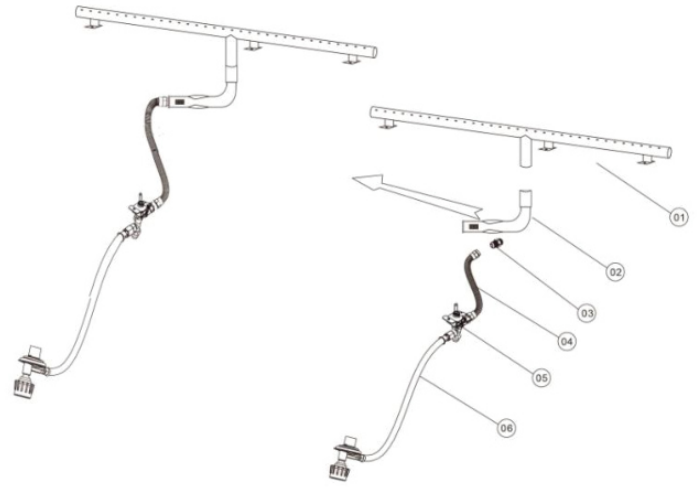
- | | | | |
|----------------------|--------------|-----------------|--------------|
| 1.Fire pit body | 2.Burner | 3.Gas hood | 4.Burner pan |
| 5.Air mixer+Orifice | 6.Valve | 7.Knob | 8.Ignitor |
| 9.Regulator+Gas hose | 10.Flex pipe | 11.Thermocouple | 12.Electrode |

EXPANDED VIEW FOR DIFFERENT FIRE PIT BURNER



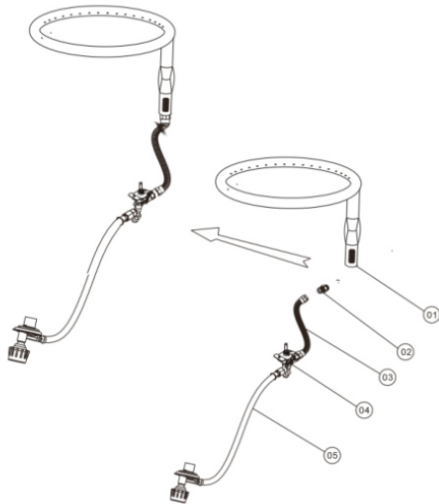
1、 Burner 2、 Air mixer 3、 Orifice 4、 Flex Hose 5、 Valve 6、 Gas hose+Regulator

12"Round Burner Ring With cross



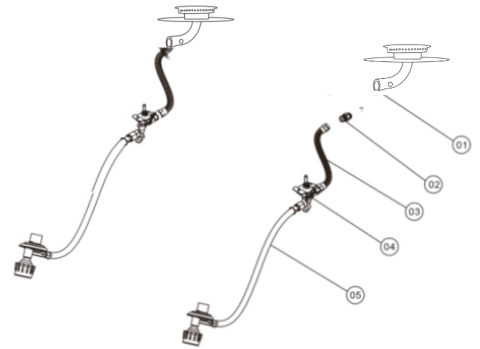
1、 Burner 2、 Air mixer 3、 Orifice 4、 Flex Hose 5、 Valve 6、 Gas hose+Regulator

23" / 34.6" Straight Burner Ring



1、 Burner+Air mixer 2、 Orifice 3、 Flex Hose 4、 Valve 5、 Gas hose+Regulator

10"Round Burner Ring



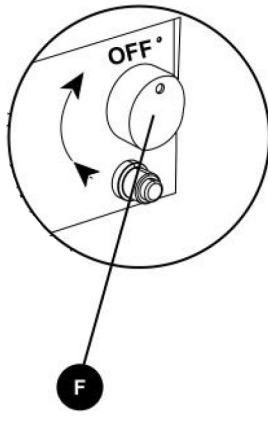
1.Burner+air mixer 2.Orifice 3.Flex hose 4.Valve
5.Gas hose + Regulator

3.5"Round Burner Ring

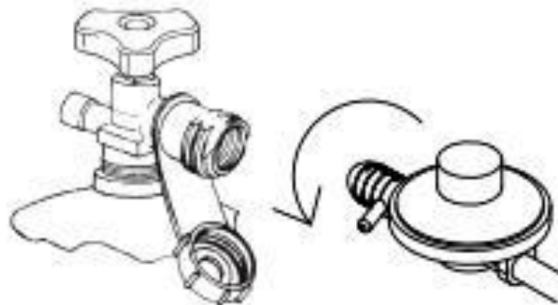
INSTALLATION

This Gas Fire Pit must be installed on flat, stable surface, away from any combustible materials or construction.

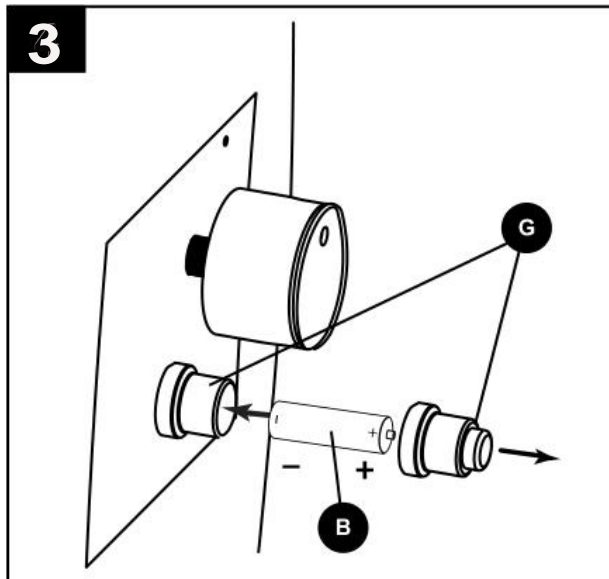
- Remove fire pit from its packaging and remove the cylinder cargo from another carton, place them on any level, non-combustible surface.
- Before beginning assembly of product, make sure all parts are present. Compare parts with package contents list and hardware contents list. If any part is missing or damaged, do not attempt to assemble the product.
- NOTE: You must follow all steps to properly assemble fire table. Make sure the gas valve is turned OFF.
- 1. Make sure the control knob (F) for the gas supply system is turned to "OFF" (see the picture 1)



2. Connect the regulator to LPG cylinder by hand and tighten.






3. To install the battery (B), unscrew the rubber cap of the electric ignitor (G) and place battery (B) into the battery case. Make sure the positive pole (“+”) faces out toward the cap. Screw the cap back onto the electric ignitor (G) tightly.



4. Place the lava rocks on the burner pan evenly.

See **WARNING** and **Figures**:

<p>⚠ WARNING</p>	<p>Screen </p> <p>DO NOT PLACE LAVA ROCKS ON THE SCREEN. KEEP SCREEN CLEAR.</p>
<p>This screen must be clear and free of obstructions at all times to insure proper operation.</p>	<p>⚠ WARNING</p> <p>The burner of the fire table must be covered by lava rocks completely. Otherwise the flame may be extinguished occasionally. See the Figures CORRECT and INCORRECT for reference.</p> <div style="display: flex; justify-content: space-around;"> <div data-bbox="657 1279 895 1503">  <p>CORRECT</p> </div> <div data-bbox="895 1279 1133 1503">  <p>INCORRECT</p> </div> </div>

5. Place the hose where it won't be a tripping hazard or in areas where the hose may be subjected to accidental damage.

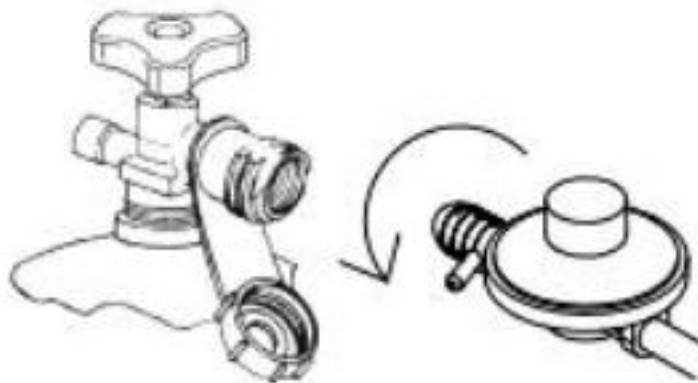
CAUTION: Ensure that the flexible gas hose is free from kinks.

Instruction for connecting gas circuit to LPG cylinder:

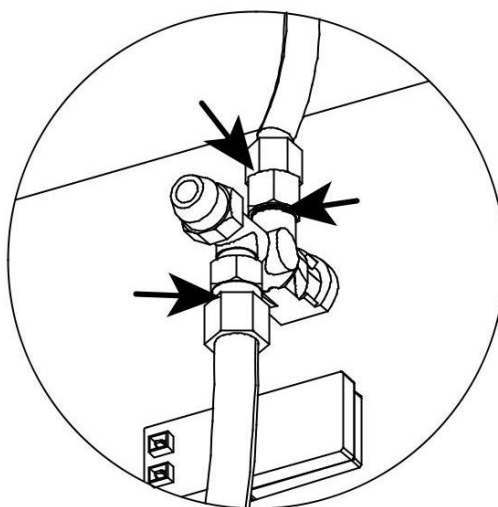
Keep at hand a suitable Philips screwdriver, adjustable spanners, pliers and wrenches. Before assembly, make sure all protection packing material has been removed. Flexible gas hose(1763-1) and clamps (if necessary) are supplied with this appliance and must be used, according to National Rules in force. You need to purchase one gas regulator and one gas cylinder. The gas regulator has to be set according to specific gas category (see on page 2) and proper gas consumption (g/h) specification. The LPG cylinder should be standard one. Recommend to use 8kg replacement, must be specified in "Gas Requirements" section of this Instruction Manual. Be careful: do not kink flexible gas rubber pipe of gas circuit. If pipe holder should not be provided, thread of the gas inlet connection will be in line with Standards ISO 7-1 or ISO 228-1, according to National Rules in force of the country of destination.

➤ 1. Make sure appliance gas knob is turned "OFF" (full disk) before assembling

➤ 2. Connect the regulator to LPG cylinder by hand and then tighten.



➤ 3. Connect the hose to the appliance and the regulator. Tighten the screw of the hose clamp with a screwdriver.



OPERATING INSTRUCTIONS

Igniting

1. Read instructions before igniting.
2. Control knob must be in the "OFF" position.
3. Connect propane cylinder (See Manual).
4. Push and turn control knob counter clockwise to "LOW".
5. Press the ignition button repeatedly to light burner.
6. Release control knob after 20 seconds.
7. If ignition does not occur in 20 seconds, push and turn burner control knob to "OFF", wait 5 minutes, fan with newspaper or magazine, and repeat ignition procedure.
8. If ignitor does not light burner, use a long match or long butane lighter.
9. Adjust flame to desired flame size with the control knob.
CAUTION: The gas supply must be turned off at the LP-gas supply cylinder when this appliance is not in use.

TURNING OFF

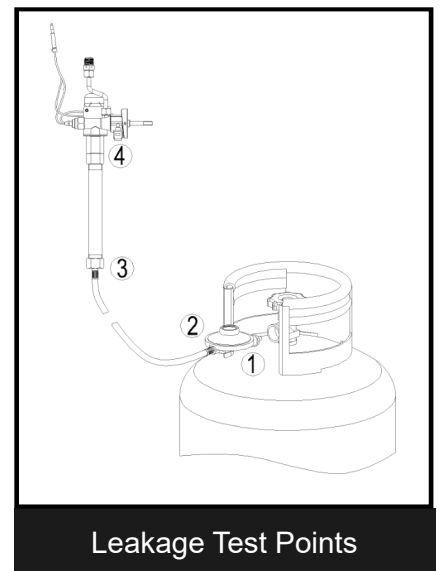
1. Turn and push the control knob clockwise to the "OFF" position.
2. Turn the cylinder valve on the gas tank to clockwise to close.

LEAKAGE TESTING

Never check for gas leakages with a flame or while smoking.

This appliance needs to be periodically checked for leakages and an immediate check is required if the smell of gas is detected.

- Make a soap solution using 1 part of liquid dish-washing soap to 3 parts water. The soap solution can be applied with a soap bottle, brush, or rag to the leakage tested points shown in the figure beside.
- The valve of the LPG cylinder should be in the "OFF" position at this point of the leakage test. Once the soapy solution is applied to the gas connections, the valve of the LPG cylinder needs to be turned to the "ON" position.
- Soap bubbles will begin to form in the soapy solution if any leakage is present.
- In the event of gas leakage, the appliance shall not be used or if alight, the gas supply should be shut-off and the appliance must be investigated and corrected before it is used again. Tighten any leaking fittings, then turn on gas supply and recheck.
- If necessary, substitute gasket (according to EN 549 Class B2) or material used to guarantee tightness (according to EN 751-1 Class I).



Leakage Test Points

MAINTENANCE AND CLEANING

To enjoy years of outstanding performance from your Fire Cube, regular servicing of the appliance is mandatory as follows:

- The appliance should be inspected at least one time a year by a Qualified Service Agent only. More frequent cleaning may be required according to the use of the appliance.
- Any guard or other protective device removed for servicing the appliance must be replaced before operating it.
- Keep exterior surfaces clean, free and clear from combustible materials.
- Use warm soapy water for cleaning. Never use flammable or corrosive cleaning agents.
- While washing your unit make sure to keep the area around the burner assembly dry at all times. If the gas control is exposed to water in any way, **DO NOT** try to use it. It must be replaced.
- Burner and LPG compartment circulating air passageways of the appliance must be kept clean.
- Airflow must be unobstructed. Keep controls, burner and circulation air passageways clean.

Signs of possible blockage include:

- Gas odor with extreme yellow tipping of flame / Appliance glow is excessively uneven / Appliance makes popping noises.
- Spiders and insects can nest in burner and vents. It is essential to ensure that your Fire Cube is cleaned regularly. Compressed air may help clear away smaller particles.
- Carbon deposits can create a fire hazard. If any carbon deposits develop, clean the dome and engine with warm soapy water.
- After the burner and lava rocks have completely cooled down, remove it from the bowl and use a soft brush to get rid of the mild stains, loose dirt and soil. Thereafter wipe with a soft cloth.
- Clean the bowl and afterwards place lava rocks in proper position.
- For proper cleaning a vacuum cleaner can be used.

Note: In a salt-air environment (such as near the sea), corrosion occurs more quickly than normal. Frequently check the corroded areas and repair them promptly. Stubborn stains, discoloration and possibly rust pitting can occur from exposure to harsh outdoor conditions. Be careful not let any powder or solvent come in contact with painted or plastic components as damage may occur.

After long use, some discoloration may occur..

Make sure both gas supplies is in OFF position before changing battery. Please refer to the process of assembling battery.

Please contact the Manufacturer or dealer for information regarding replacement hoses, thermocouples, igniters, lava rocks, etc.

Attention: Never use unauthorized parts or component for this appliance.

Use only original equipment replacement spare parts and components.

Otherwise may void the warranty of this product and result in a hazardous condition.

STORAGE (after use)

Turn control knob to the “OFF” position (full disk) as well as on the LPG cylinder.

Store the appliance in a cool dry place away from direct sunlight; store it upright in an area sheltered from direct contact with inclement weather (such as rain, sleet, hail, snow, dust and debris).

If desired, cover to protect exterior surfaces and to prevent build up in air passages.

Note: Wait until appliance is cool before covering.

During periods of extended inactivity or when transporting:

Disconnect LPG cylinder and move to a secure, well ventilated location outdoors. DO NOT store in a location that will exceed 50 °C.

TROUBLESHOOTING

Problem:	Condition:	Solution suggested:
Burner won't light	Control knob is not in Maximum position (large flame).	Turn control knob in Maximum position (large flame).
	LPG cylinder valve is closed / Empty.	Open the valve / Replace LPG cylinder with a new one.
	Blockage in the injector.	Clean or replace injector.
	Air in the gas circuit.	Open gas line and bleed it (pressing control knob in) for more than 1 minute or until you smell gas.
	Low gas pressure.	Replace LPG cylinder with a new one.
	Igniter fails.	Use match to light burner; change battery or obtain new ignite and replace it.
Burner won't stay lit	Dirty build up around burner.	Clean dirty around the burner.
	Low flames or not full running around the burner.	Flame spreader holes partially closed; clean the burner.
	Thermocouple is not operating correctly.	Replace thermocouple (FSD).
	Low Gas pressure.	Replace LPG cylinder with a new one.
Burner flame is low Note: Do not operate appliance below 5 °C	Outdoor temperature is greater than 5 °C and LPG cylinder is less than 25 % full.	Replace LPG cylinder with a new one.
	Gas pipe is bent or kinked.	Straighten hose and perform leakage test on gas pipe.
	Control knob is fully Maximum position (big flame).	Turn control knob to "OFF" position (full disk), let cool to room temperature and check burner and orifices for blockage.
Carbon build-up	Dirty or film on burner.	Clean burner.
Flash back (flame inside burner)	Burner ports are blocked.	Switch OFF the appliance. Close LPG cylinder valve. Wait 2 minutes, following the ignition procedure. Ignite burner. If problem continuous, switch-off. Contact your dealer.
Thick black smoke	Blockage in the burner.	Turn control knob to "OFF" position, let the appliance to cool at room temperature and remove blockage and clean burner inside and outside.

Warranty

Manufacturer and distributor warrant fire pits and accessories to be free from defects in parts and workmanship under normal use and service for a period of 1 year from the date of purchase. In the event of such defects, our company will, at its option, repair or replace the defective product. The foregoing is at the discretion of our side.

There will be no charge for the replacement parts or product, however it will be the consumer's responsibility to return the product to the original place of purchase.

We will not be responsible for consequential damages in excess of the purchase price of the product on which such liability is based and the warranty does not cover costs including freight, removal and reinstallation.

This warranty is non-transferable and applies only for units that are for non-commercial personal use only.

Under this warranty agreement, all gas lines must be installed by a licensed gas fitter.

Damage caused by shipping, staining and abuse are not covered under this warranty. Dings, dents and scratches, fading and natural weathering are not covered under this warranty. Decorative rock is not covered under this warranty. Improper installations, repair or modifications made by anyone other than our company will void this warranty and any damage caused by such is also not covered under this warranty.

Minor chipping, weather fading, water staining and non-structural hairline cracks are typical of the material of this product and are not covered under this warranty. Some color and texture variation is typical of the material and finish for this product and is not covered under this warranty.

Cast concrete is a hand finished process. As such, this product's finish will vary by unit. There will be a color variance of up to 15% in each unit. There may also be uneven texture or pattern as well as small holes in the surface caused by air or water trapped on the surface during casting. This is a normal trait of cast concrete and is not covered under warranty.